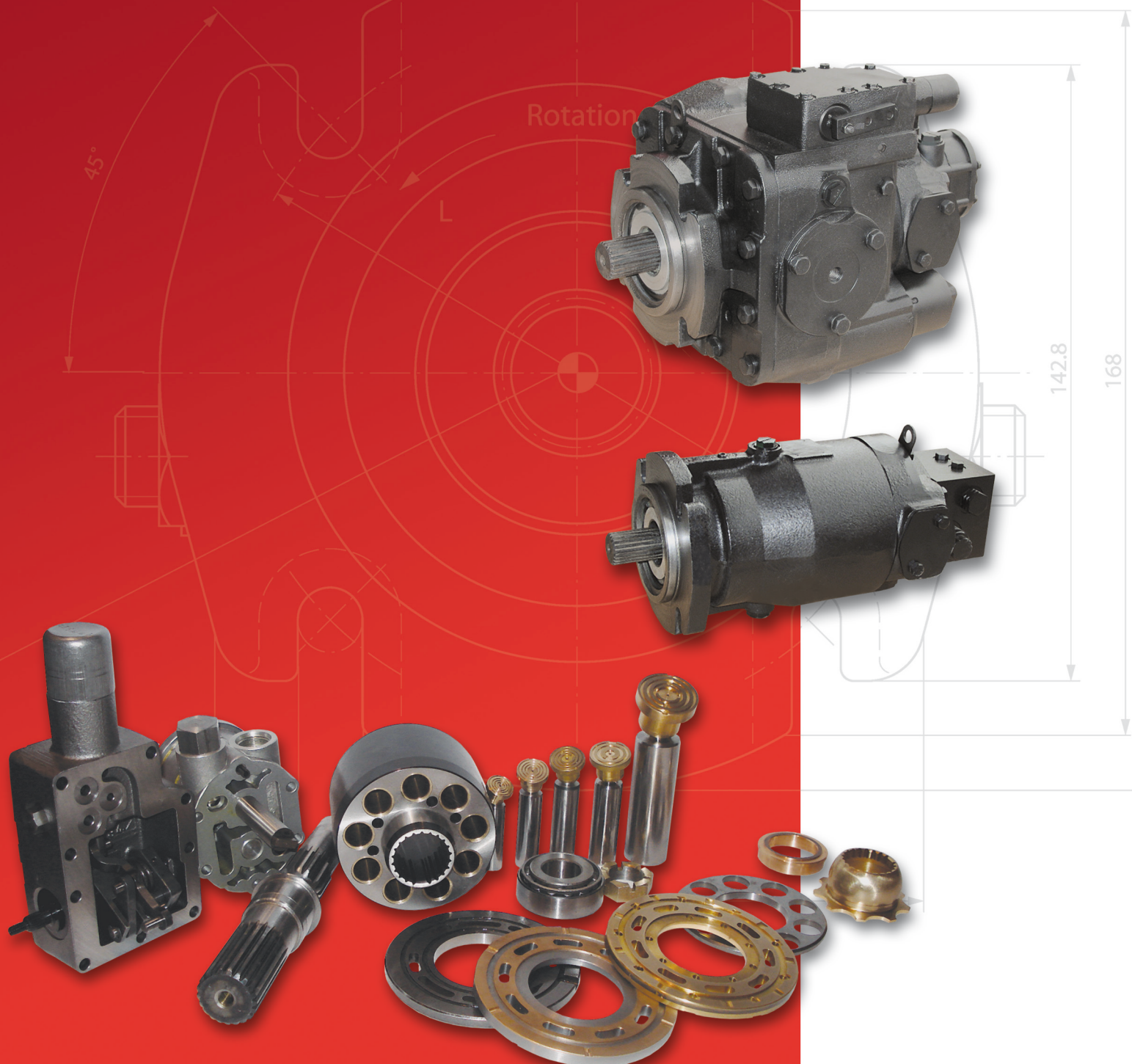


Spare Parts

Axial Piston
Variable Hydrostatic
Pump
PV 20 till PV27

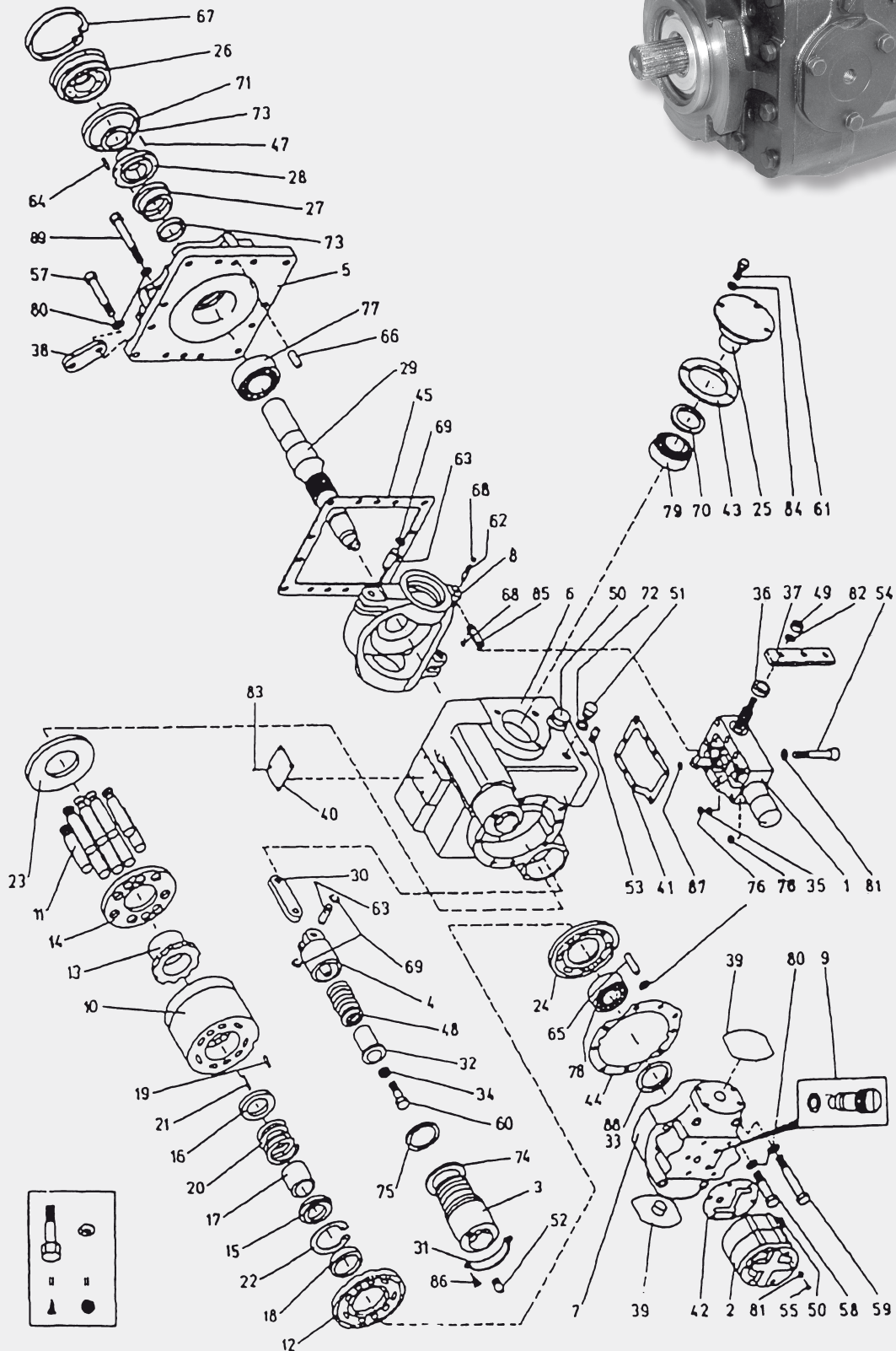
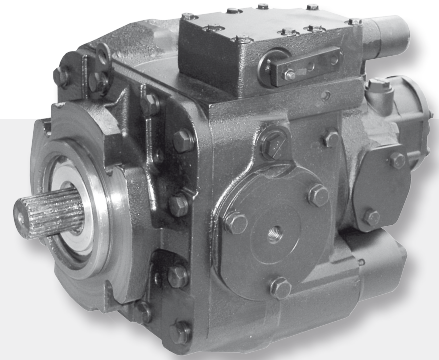
Axial Piston
Fixed Hydrostatic
Motor
MF 20 till MF 27



PV 20, PV 21, PV 22, PV 23, PV 24, PV 25, PV 26, PV 27

At your inquiry is needed to give number of spare parts from sketch and size of the pump.

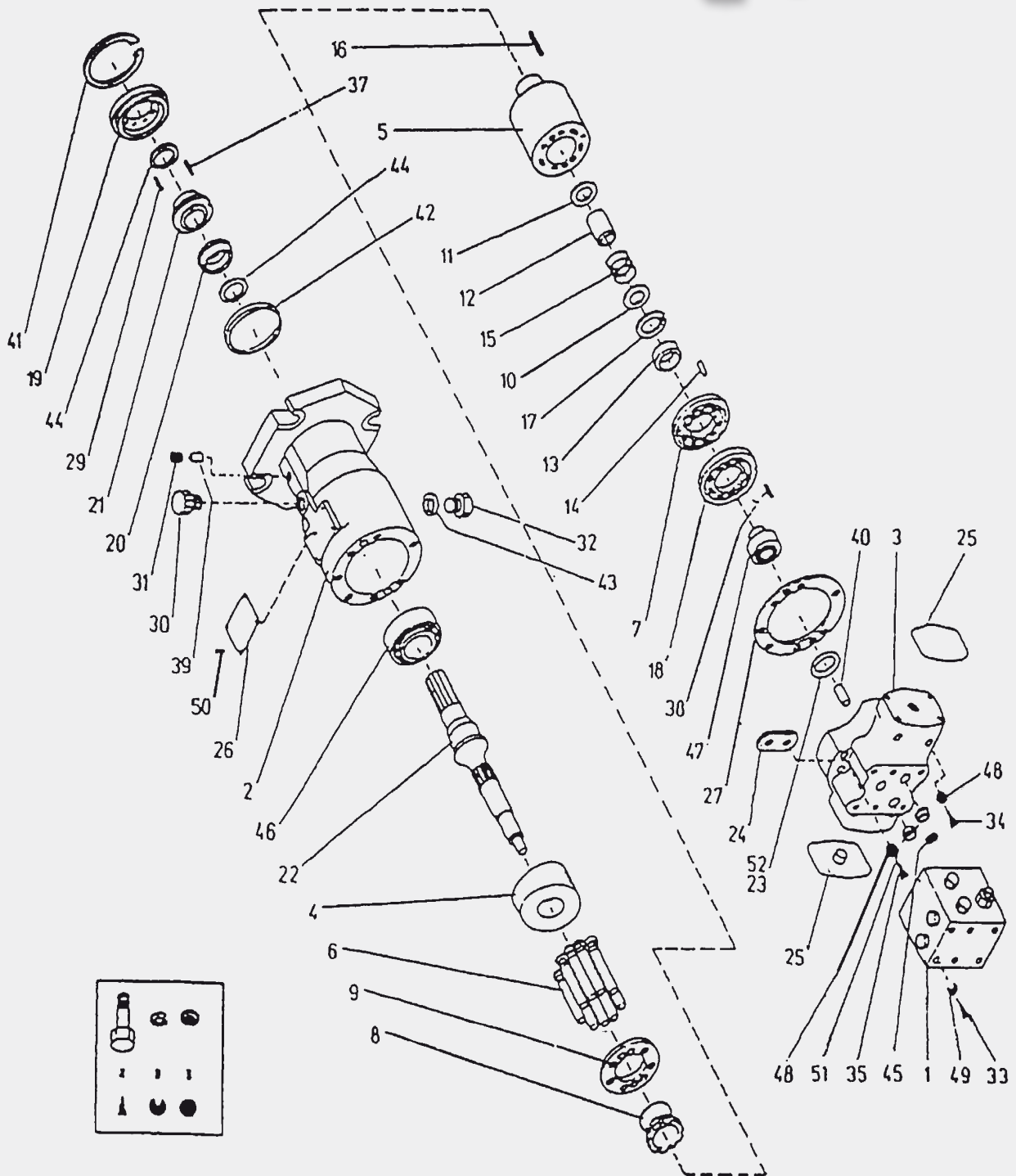
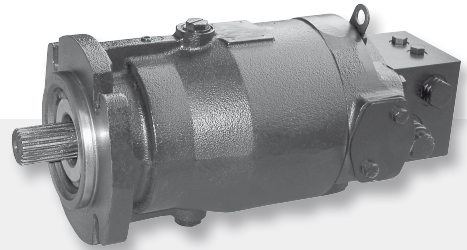
1 – Servovalve Assembly	44 – End Cap Gasket
2 – Charge Pump Assembly	45 – Front Cover Gasket
3 – Servo Cylinder	47 – Seal Spring
4 – Servo Piston	48 – Servo Spring
5 – Front Cover	49 – Nut
6 – Pump Housing	50 – Plastic Plug
7 – End Cap	51 – Plug
8 – Swash Plate	52 – Expander 05
9 – Check Valve	53 – Expander 09
10 – Cylinder Barrel	54 – Hex Head Screw
11 – Piston Assembly	55 – Hex Head Screw
12 – Bearing Plate	57 – Hex Head Screw
13 – Retainer Guide	58 – End Cap Screw
14 – Slipper Retainer	59 – End Cap Screw
15 – Spring Retainer	60 – Screw
16 – Spring Seat	61 – Hex Head Screw
17 – Spring Guide	62 – Pin
18 – Bearing Plate Pilot	63 – Pin
19 – Pin	64 – Drive Screw
20 – Cylinder Barrel Spring	65 – Pin
21 – RetainerSpring	66 – Pin
22 – Retaining Ring	67 – Retaining Ring
23 – Thrust Plate	68 – Retaining Ring
24 – Valve Plate	69 – Retaining Ring
25 – Trunnion	70 – O-Ring
26 – Seal Retainer	71 – O-Ring
27 – Rotating Seal	72 – O-Ring
28 – Stationary Seal	73 – O-Ring
29 – Drive Shaft	74 – O-Ring
30 – Servo Link	75 – O-Ring
31 – Sleeve Retainer	76 – O-Ring
32 – SpringGuide	77 – Front Bearing
33 – Shim	78 – Rear Bearing
34 – Washer	79 – Trunnion Bearing
35 – Orifice	80 – Washer
36 – Spacer	81 – Washer
37 – Control Handle	82 – Washer
38 – Loop	83 – Drive Screw
39 – Cap	84 – Washer
41 – Control Valve Gasket	86 – Socket Head Screw
42 – Charge Pump Gasket	87 – O-Ring
43 – Shim Pack	89 – Hex Head Screw



MF 20, MF 21, MF 22, MF 23, MF 24, MF 25, MF 26, MF 27

At your inquiry is needed to give number of spare parts from sketch and size of the motor.

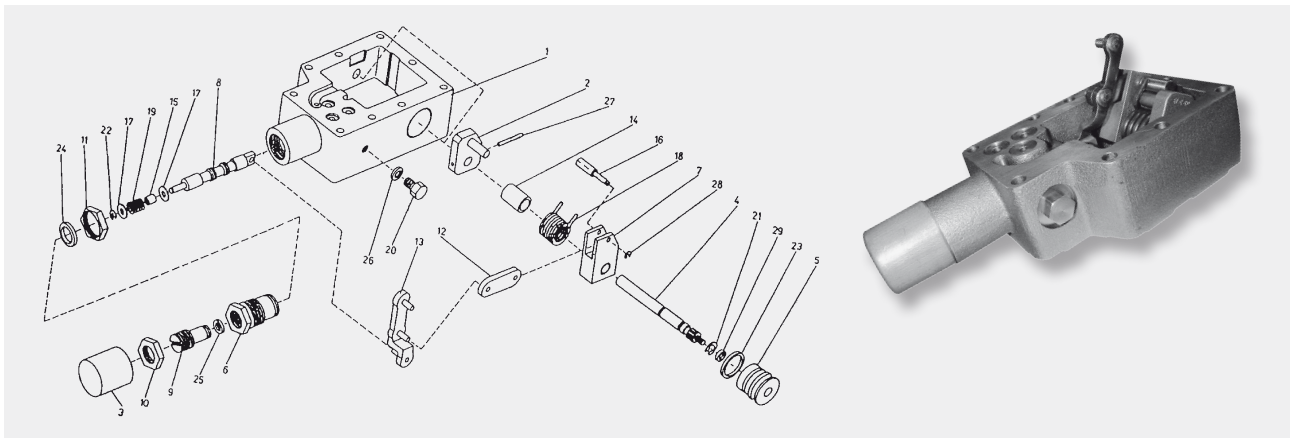
1 – Manifold Assy 35 Mpa	27 – End Cap Gasket
2 – Motor Housing	29 – Seal Spring
3 – End Cap	30 – Plug
4 – Swash Plate	31 – Plug
5 – Cylinder Barrel	32 – Hex Head Plug
6 – Piston Assembly	33 – Hex Head Screw
7 – Bearing Plate	34 – End Cap Screw
8 – Retainer Guide	35 – Hex Head Screw
9 – Slipper Retainer	37 – Drive Screw
10 – Spring Retainer	38 – Pin
11 – Spring Retainer	39 – Pin
12 – Spring Guide	40 – Pin
13 – Bearing Plate Pilot	41 – Retaining Ring
14 – Pin	42 – O Ring
15 – Cylinder Barrel Spring	43 – O ring
16 – Retainer Spring	44 – O Ring
17 – Retaining Ring	45 – O Ring
18 – Valve Plate	46 – Front Bearing
19 – Seal Retainer	47 – Rear Bearing
20 – Rotating Seal	48 – Washer
21 – Stationary Seal	49 – Washer
22 – Drive Shaft	50 – Drive Screw
23 – Shim	51 – O Ring
24 – Loop	52 – Washer
25 – Cap	



PV 20, PV 21, PV 22, PV 23, PV 24, PV 25, PV 26, PV 27

At your inquiry is needed to give number of spare parts from sketch of servovalve assembly and size of the pump.

1 – Control Valve Housing	9 – Set Screw	16 – Stop	23 – O-Ring
2 – Lever Arm	10 – Retaining Nut	17 – Washer	24 – O-Ring
3 – Cover	11 – Retaining Nut	18 – Torsion Spring	25 – O-Ring
4 – Shaft	12 – Link	19 – Spring	26 – O-Ring
5 – Bushing	13 – Valve Link	20 – Plug	27 – Pin
6 – Spring Bushing	14 – Bushing	21 – Retaining Ring	28 – Retaining Ring
7 – Shaft Link	15 – Bushing	22 – Retaining Ring	29 – O-Ring
8 – Shuttle Valve			

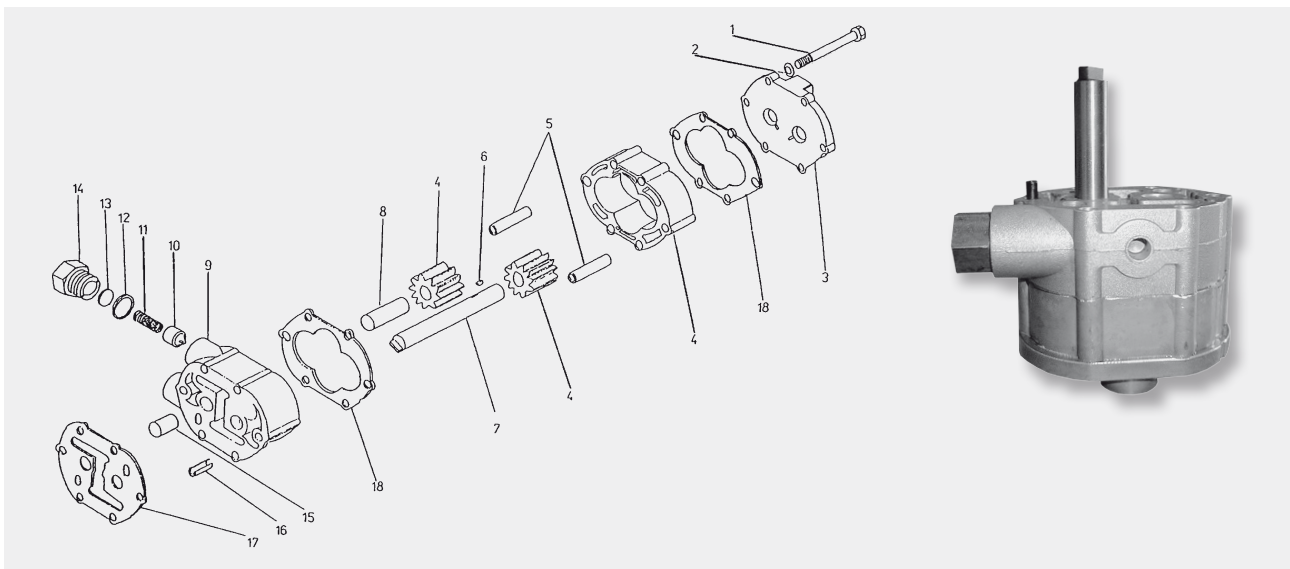


Spare Parts for Charge Pump for Variable Piston Pump

PV 20, PV 21, PV 22, PV 23, PV 24, PV 25, PV 26, PV 27

At your inquiry is needed to give number of spare parts from sketch of charge pump and size of the pump.

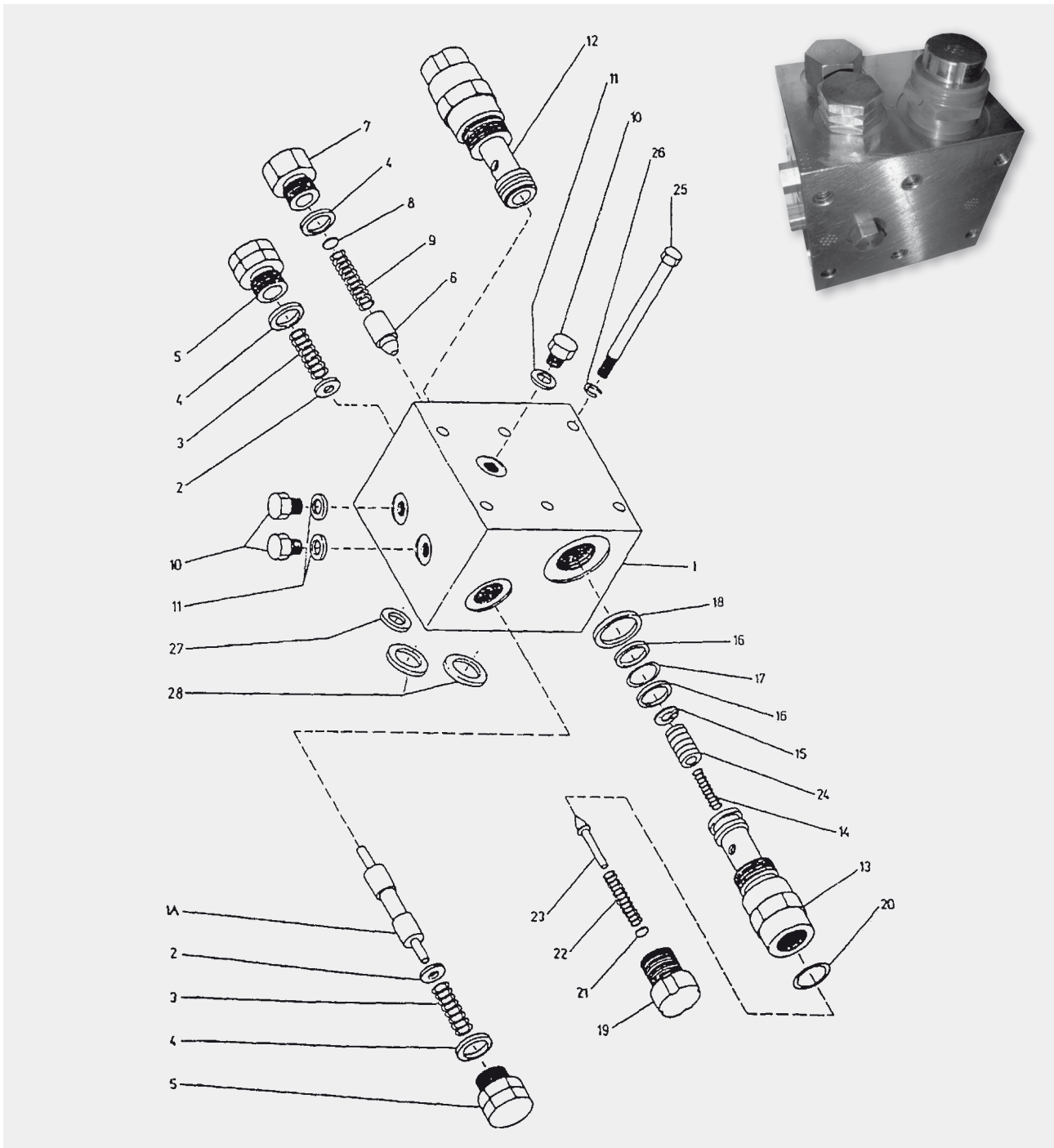
1 – Hex Head Screw	6 – Key	11 – Spring	15 – Pin
2 – Washer	7 – Drive Shaft	12 – O-Ring	16 – Pin
3 – End Cap	8 – Pin	13 – Shim	17 – Charge Pump Gasket
4 – Gear Set	9 – Pump Housing	14 – Plug	18 – Gasket
5 – Pin	10 – Relief Valve		



MF 20, MF 21, MF 22, MF 23, MF 24, MF 25, MF 26, MF 27

At your inquiry is needed to give number of spare parts from sketch of manifold assembly and size of the motor.

1 – Manifold Housing	8 – Relief Valve Shim	15 – Retaining Ring	22 – Spring
1A – Shuttle Valve	9 – Relief Valve Spring	16 – Seat	23 – Relief Valve
2 – Washer	10 – Plug	17 – O-Ring	24 – Piston
3 – Spring	11 – O-Ring	18 – O-Ring	25 – Hex Head Screw
4 – O-Ring	12 – High Pressure Valve	19 – Plug	26 – Washer
5 – Plug	13 – Valve Body	20 – O-Ring	27 – O-Ring
6 – Relief Valve	14 – Spring	21 – Washer	28 – O-Ring
7 – Plug			



3COM - GTN Hydraulics s. r. o.
Andreja Kmeťa 19
036 01 Martin
Slovakia
European Union

Tel.: 00421-43-4302598, 4302599

Fax: 00421-43-4224369

e-mail: 3com-hydraulics@3com-hydraulics.sk

www.3com-hydraulics.sk

